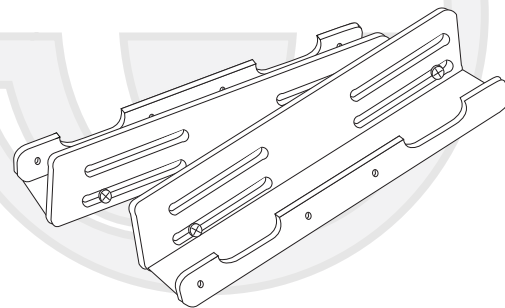


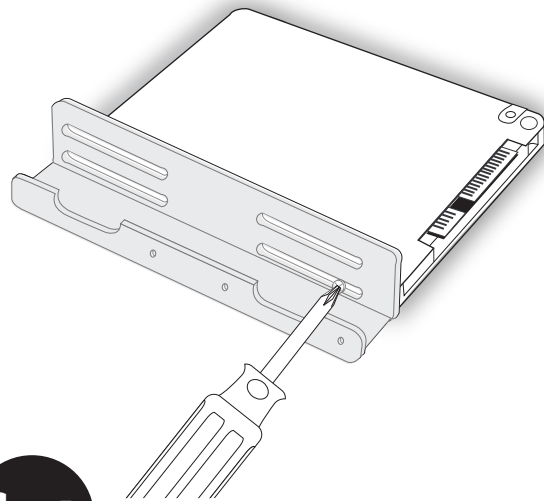
**2.5" TO 3.5" SSD/HDD  
Aluminum Bracket Installation Manual**



**SOLIDATA.HK**

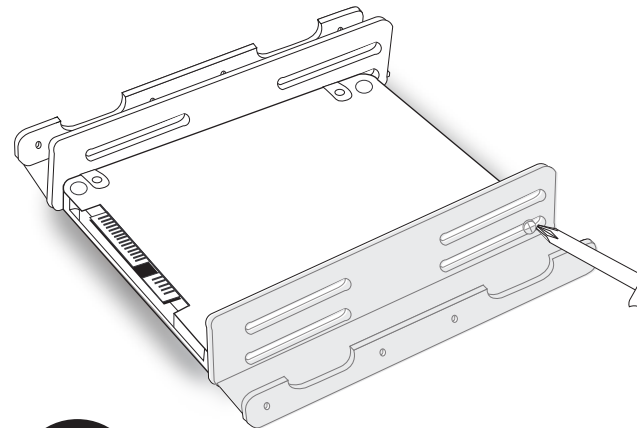
**Step 1**

Fix SSD on a bracket's upper or lower slot, the SSD can face up or down, both positions are ok.



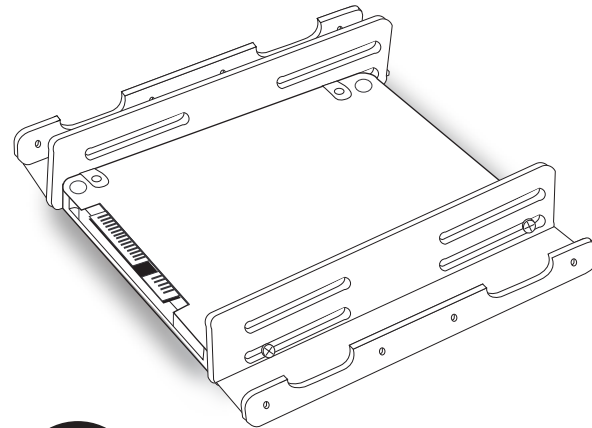
**Step 2**

Fix another bracket to the SSD.



**Step 3**

If you install only one SSD, you can fix it on up or low position, although it's easier to install on upper position.  
1 x SSD installed shown above.



2 x SSD shown above, you can mount it into any standard 3.5" drive bay now. If you cannot insert cables easily into both SSD, please try to face one of the SSD in opposite side.

